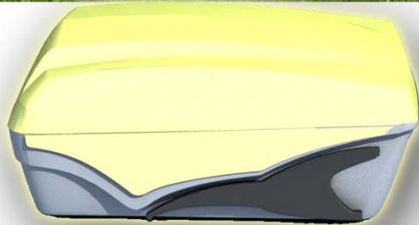
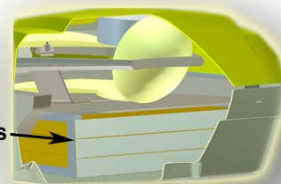


- No loose parts !  
 - Wireless control  
 - Wireless inputs

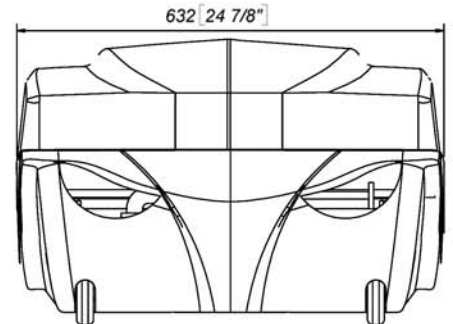
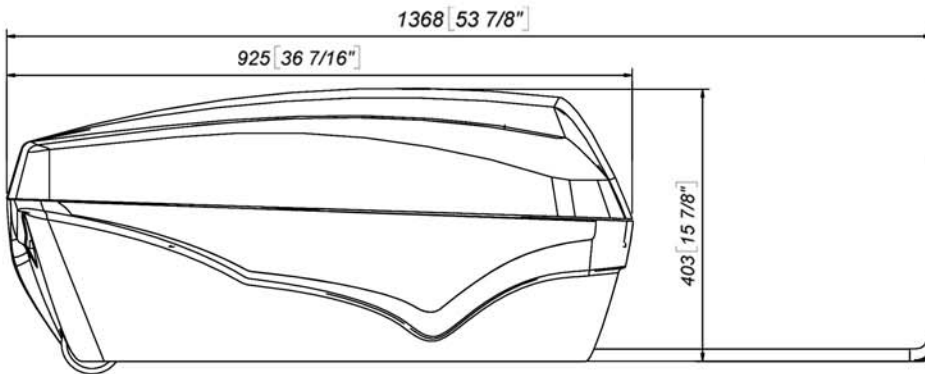


**Other Features**

- ▣ Less than 30 kilos (depending on model)
- ▣ Runs on 85 to 285 VAC and/or 12VDC (12VDC only on SSPA models)
- ▣ Complete in one case no accessories needed only sources
- ▣ EAS- Easy Alignment System
- ▣ Checkable as luggage (no overweight charge)
- ▣ No tools needed for setup
- ▣ 19" inch rackstandard makes it possible to add future (unknown) technologies
- ▣ As easy to transport as luggage due to "pullout" handle and wheels
- ▣ Stands on 3 points for best wind tolerance



A Complete system for DVB, IP, MPEG Audio etc. all Built into 1 case that weighs less than 30kg.



#### SPECIFICATIONS RAPTOR

Antenna Aperture	1,0 m
Polarization	Linear
Rx Frequency	10.70-12.75 GHz
Rx gain at midband	40.5dBi
Tx Frequency	13.75-14.5 GHz
Tx gain at midband	42.5dBi
Crosspolar rejection	<35 dB
EIRP (3dB Backoff)	61,5 dBW (with 200W TWT)
Mains	ac input 85-265V AC dc input 12V DC

#### MODULATION

Depends on application and Hardware installed

#### DATA INPUTS AND PROCESSING

Depends on application and Hardware installed  
(Wireless IP systems available)

#### VIDEO ENCODING UNIT

Depends on application and Hardware installed  
(Wireless Camera System Available)

#### AUDIO INPUTS AND PROCESSING

Depends on application and Hardware installed

#### VIDEO INPUTS AND PROCESSING

Depends on application and Hardware installed

#### TALKBACK/ TELEPHONES

Up to 8 Lines  
Depending on Hardware

#### CONTROL UNIT

Wireless GUI - (Dino M&C)  
EAS - Easy alignment system  
Different levels of access in GUI

#### EASY OF USE

Fast set up less than 5 min  
No Loose parts to be missed  
EVERYTHING in 1 case  
Wireless camera (up to 1,8km)  
24 hours support  
19" Rack standard

#### ANTENNA ALIGNMENT

Azimuth range +/- 120°  
Elevation range 5-90°  
Polarization 120° 0.1 step size

#### APPROVALS

Pending

#### ENVIRONMENTAL SPECIFICATIONS

Operating temperature: -25 to + 45°C  
Storage temperature range :-45 to +75°C  
Operating in wind speeds up to 20 m/s,  
30m/s survival

#### MECHANICAL & DESIGN

Light weight less than 30 kg  
Composites, plastics and aluminium

